

## TAIDA-PD7 Pallet Dolley



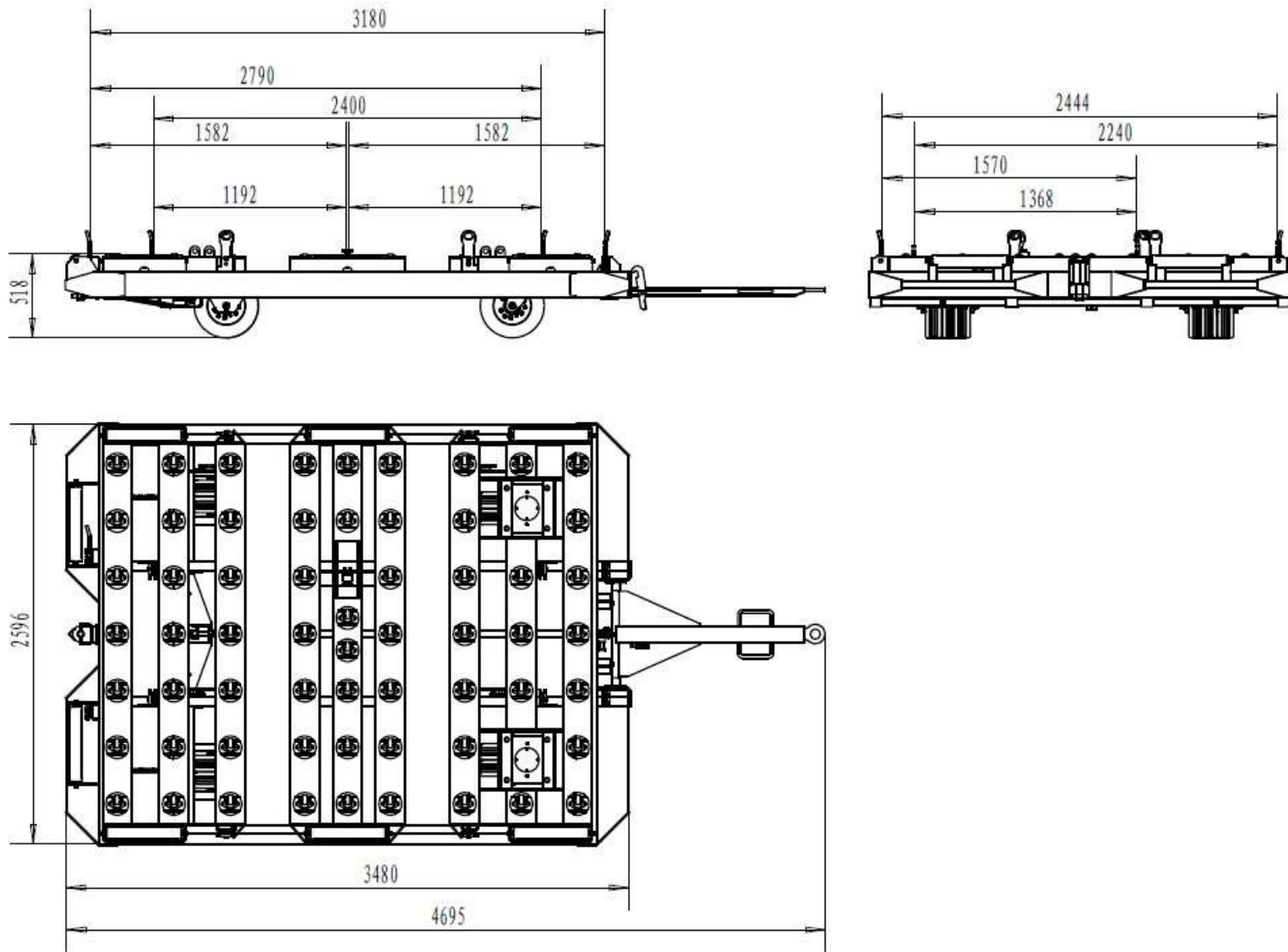
### Description:

- For handling P1P or P6P aircraft pallets and LD1、LD2、LD3、LD4、LD8 aircraft containers. Guide rollers on 3 sides for easy loading and unloading.
- Drive Wheels : 4 sets of 400 x 8 heavy dut solid tyres (Swevel at front & Fixed at rear)
- Appearance: Treated with anti-rust primer and top cost finish applied after shot blasting. Buyer to inform colour codes for Corporate identity.
- Frame: Constructed from heavy-duty channel steel and steel angle members
- Universal Castor Wheels (platform): 63 heavy duties rotatable casters of 60mm dia.
- Side Rollers: 8 no. of galvanised rollers on 3 sides of dollies for easy transferring of AULDs to and from other GSE.
- Rear Tow Hitch: Rear hitch is secured, reliable self-locking spring coupling type; capable of connecting a train of 3 pallet dollies during towing.
- Breaking System: Tow bar parking brake actuated on rear wheels in fully downward position
- Forkliftable: The dollies can be transported by forklift from both sides (not from front & rear sides)

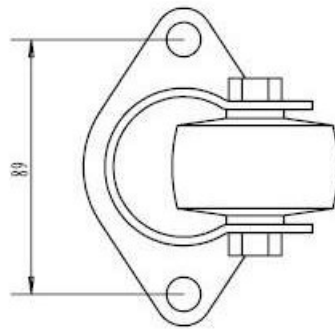
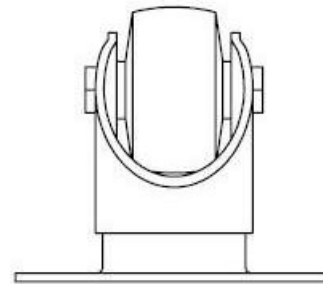
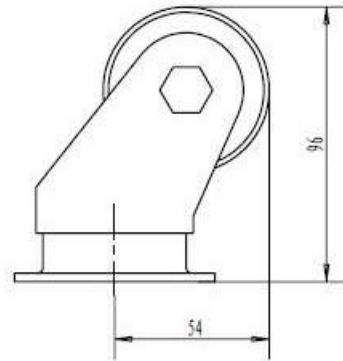
### Technical Specification:

Descriptions	Dimensions/Weights
Dimensions: L x W	4695mm (with tow bar) x 2596mm
Height (from ground to roller)	518mm
Tyres (solid)	4.00-8
Dead Weight	≥1200Kg
Load Capacity	7000 Kg
Max Towing Speed	25km/h
Turning Radius (min)	≤4500mm

# Pallet Dolley (Universal Inverted Castors)



H96R54



Amended	#	Doc Ref	Doc Ref	Doc Ref	Universal Inverted Castor	Drwg No.	H96R54				
						Assy No.					
					Page	Pages	Drwg	Ver	Unladen	Qty	Ratio
Desg	陳少東	2017/11/13	Tec		2 of 2		A4	A	0.749 Kg		1 : 2
Verif			App		Airport Equipment Services Pte Ltd						