



AIRPORT EQUIPMENT SERVICES PTE. LTD.

41 Kallang Pudding Road, #03-10 Golden Wheel Building,
Singapore 349316 Phone: (65) 65421160 Fax: (65) 65421160
Email: aessg@singnet.com.sg Website: www.aessg.com

(Business Registration No: 199400661M)

TC-TD25 BAGGAGE TOW TRACTOR SPECIFICATION



Introduction:

The TC-TD25 baggage tow tractor is designed to provide the baggage towing service for airport application.

Technical specification

1. Main performance parameter

Overall dimension: 3050*1468*1450mm(without driver's cabin)

3050*1468*2000mm(with driver's cabin)

Max. drawbar pull: 29KN

Max. running speed: 32km/h

Min. turning radius: 2900mm

Wheel base: 1600mm

Wheel tread(front/rear): 1290/1150mm

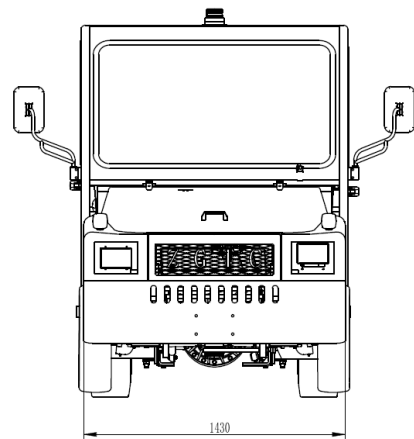
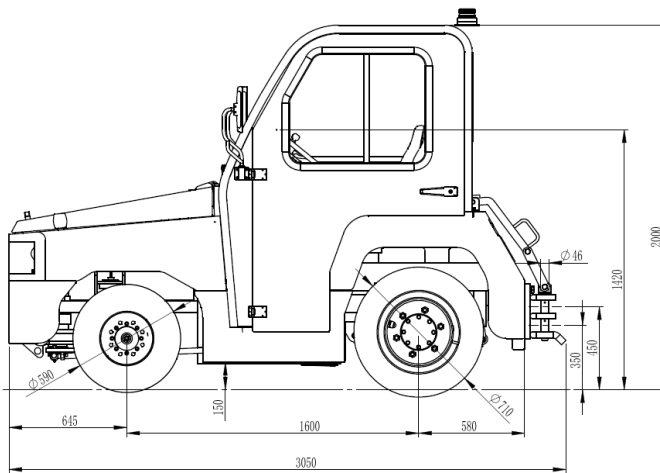
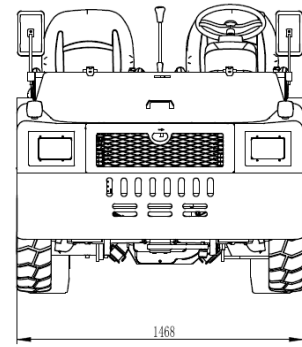
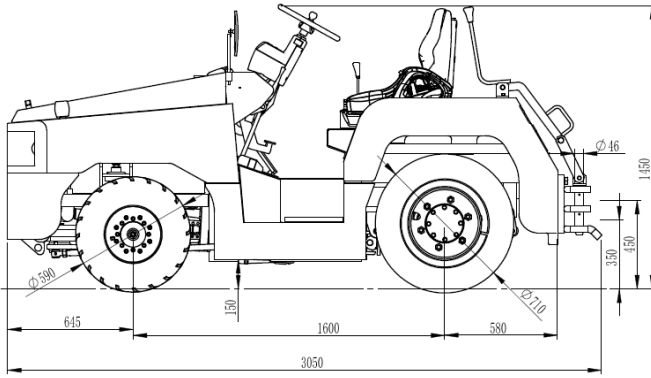
Steering wheel angle: 50-60°(adjustable)

Rear towing pin height: 350/450mm

Min. Ground clearance: 150mm

Weight: 3800kg (without driver's cabin)

4050kg (with the driver's cabin)



2. Parameters for the main configuration

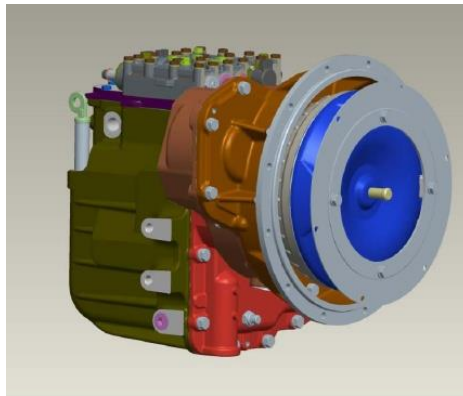
(1) Dynamic system

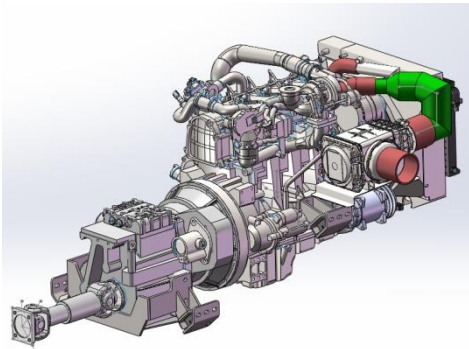
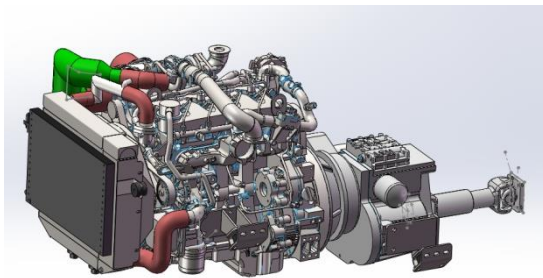
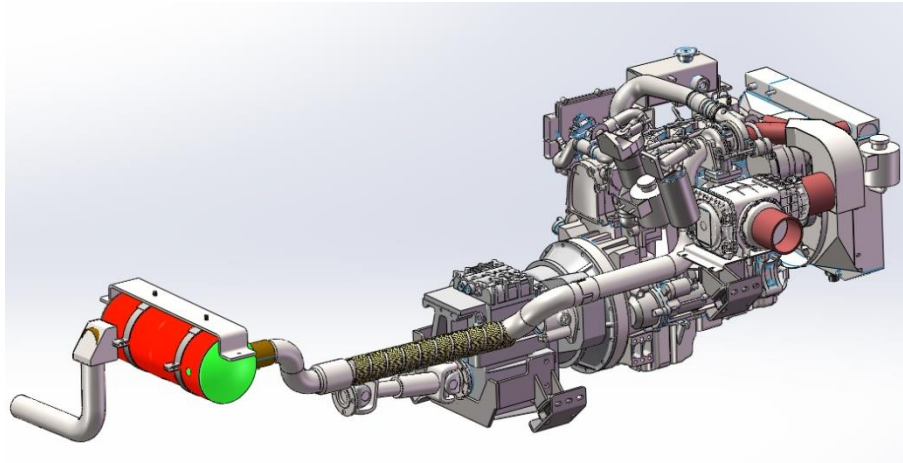
Engine: Cummins QSF2.8

Power: 43kw/2500rpm

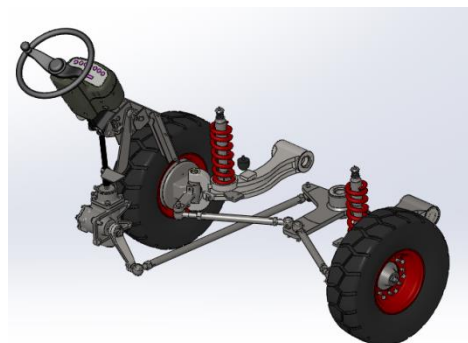
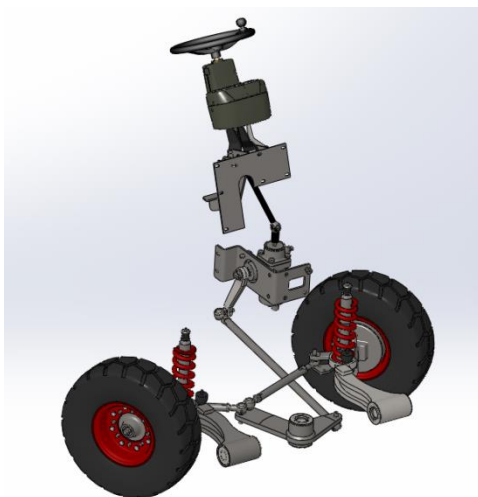
Torque: 186Nm/1600rpm

Transmission: Italy GRAZIANO PST2, automatic

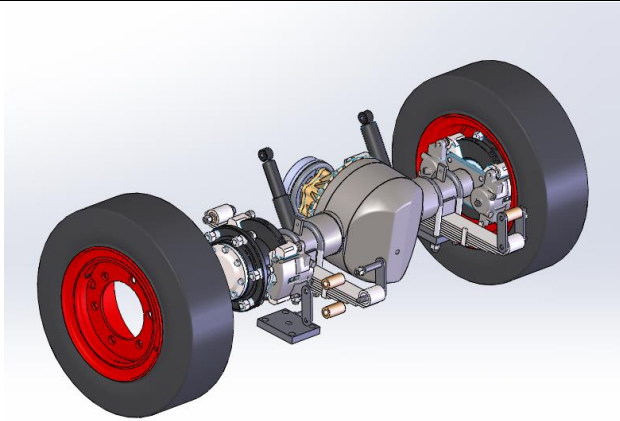




- (2) Front axle steering system
 Independent suspended type
 Tire: 6.50-1—10PR
 Helical spring + Hydraulic shock absorber



- (3) Rear axle driving system
 Axle loading: 6.5 ton
 Tire: 28x9-15NHS 14PR
 Main reduction ratio: 6.83
 Parking brake system with the output terminal
 Double caliper disc brake



(4) Brake system

Vacuum assisted system, Power assistant 8.4

Front/rear brake distributing valve

Max. brake pressure: 10Mpa

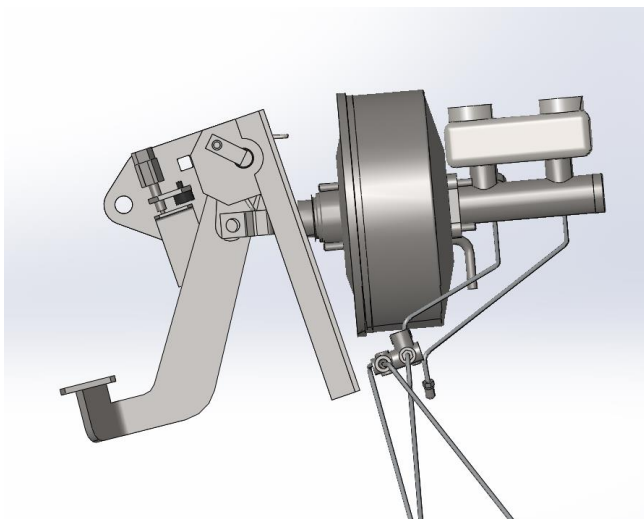
Max. brake torque of the rear axle: 8334Nm

Max. brake torque of the front axle: 2558Nm

Brake type: Front drum rear disc

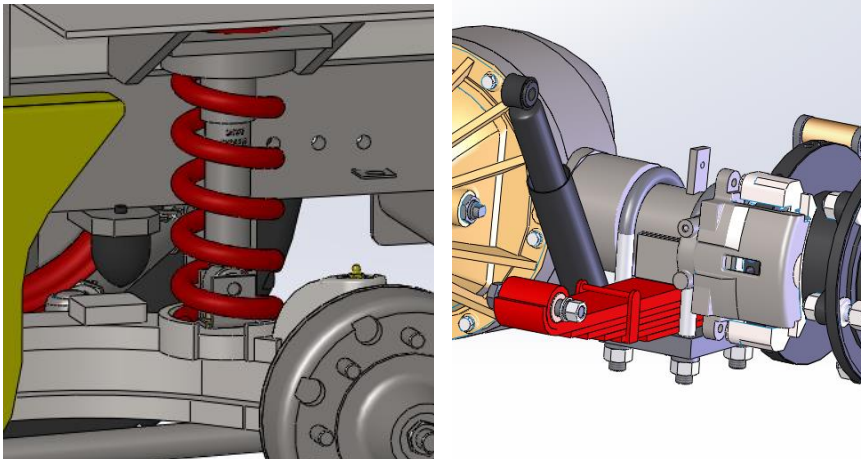
Brake distance: less than 6.5m

Engine crankshaft drive type vacuum pump



(5) Suspended system

Front helical spring shock absorption, rear steel spring shock absorption

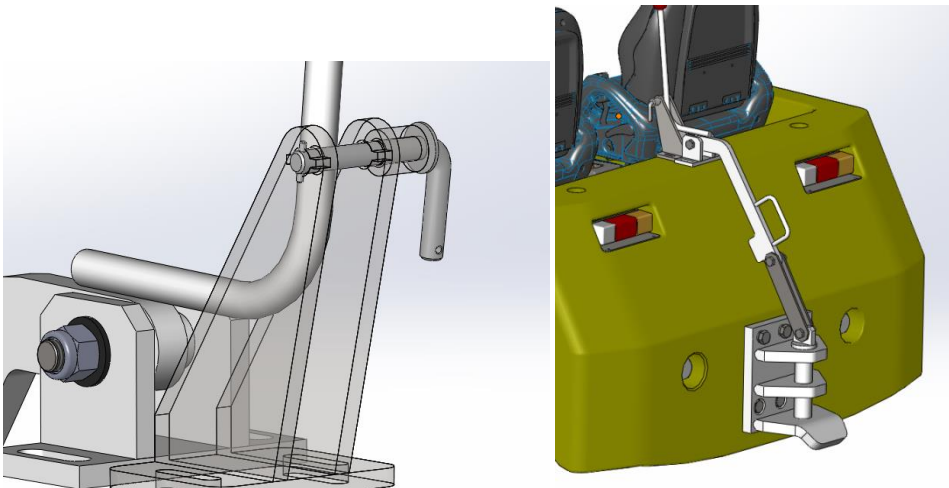


(6) Traction system

Thickening traction pin, 50mm support, 45# steel.

Self-locking device on the traction pin

The protection device of the traction pin is optional.



(7) AC assembly

Foton ISF2.8 compressor

Motor standard Condenser 14*23*20

404 type cooling and heating evaporator

(8) Electric system

LED light

CAN bus instrument: read the engine ECU signal

LCD screen show the malfunction information

Spare parts

Items	Name	Specificaiton	QTY	Remark
1	Double-ended spanner	8x10mm	1	
2	Double-ended spanner	11x13mm	1	
3	Double-ended spanner	16x18mm	1	
4	Adjustable spanner	200mm	1	
5	Screwdriver	Straight	1	
6	Screwdriver	Cross	1	
7	Socket wrench head	S=22	1	For front wheel
8	Socket wrench head	S=32	1	For rear wheel
9	Socket wrench head	S=55	1	For rear counterweight
10	The sliding of socket wrench		1	
11	Long connector of socket wrench		1	
12	Operational Manual of the tractor	4032	1	
13	Operational Manual of the Engine	QSF2.8	1	
14	Operational Manual of the transmission	PST2	1	
15	Spare tire	650-10	1	